

DIAGRAM KABEL - KABEL SUZUKI SATRIA 120 S

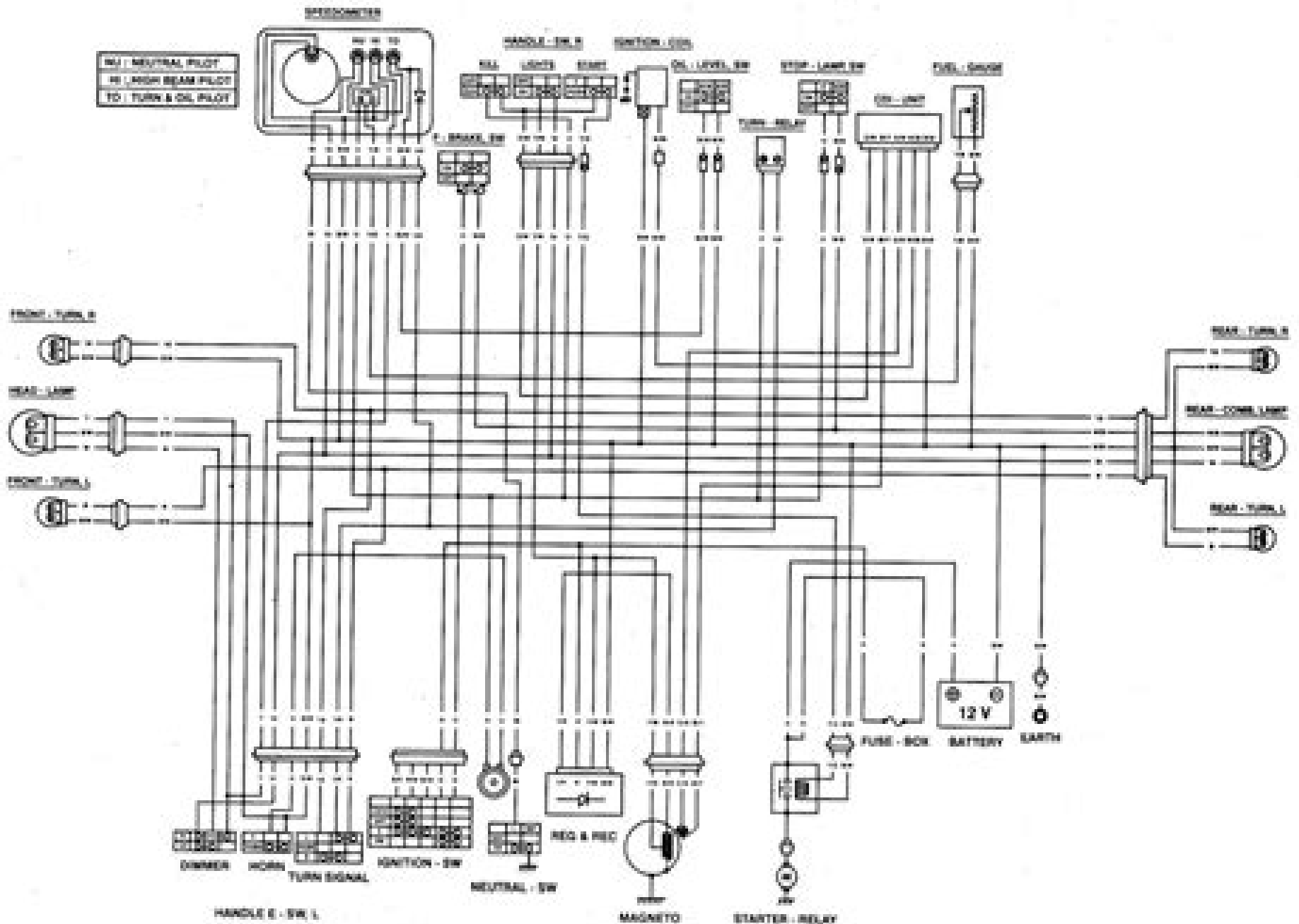


Diagram Kelistrikan Suzuki Shogun 11

Jin-Ying Zhang



Diagram Kelistrikan Suzuki Shogun 11:

Right here, we have countless books **Diagram Kelistrikan Suzuki Shogun 11** and collections to check out. We additionally manage to pay for variant types and then type of the books to browse. The within acceptable limits book, fiction, history, novel, scientific research, as capably as various new sorts of books are readily available here.

As this Diagram Kelistrikan Suzuki Shogun 11, it ends in the works creature one of the favored book Diagram Kelistrikan Suzuki Shogun 11 collections that we have. This is why you remain in the best website to see the incredible ebook to have.

https://cmsemergencymanual.iom.int/files/book-search/Documents/Banting_Diet_Cookbook_35_New_Lchf_Banting_Diet_Recipes_Banting_Diet_Recipes_With_35_New_Lchf_Recipes_Delicious_Dinners_Lunches_Breakfasts_And_Shakes_For_The_Banting_Diet.pdf

Table of Contents Diagram Kelistrikan Suzuki Shogun 11

1. Understanding the eBook Diagram Kelistrikan Suzuki Shogun 11
 - The Rise of Digital Reading Diagram Kelistrikan Suzuki Shogun 11
 - Advantages of eBooks Over Traditional Books
2. Identifying Diagram Kelistrikan Suzuki Shogun 11
 - Exploring Different Genres
 - Considering Fiction vs. Non-Fiction
 - Determining Your Reading Goals
3. Choosing the Right eBook Platform
 - Popular eBook Platforms
 - Features to Look for in an Diagram Kelistrikan Suzuki Shogun 11
 - User-Friendly Interface
4. Exploring eBook Recommendations from Diagram Kelistrikan Suzuki Shogun 11
 - Personalized Recommendations
 - Diagram Kelistrikan Suzuki Shogun 11 User Reviews and Ratings
 - Diagram Kelistrikan Suzuki Shogun 11 and Bestseller Lists

-
5. Accessing Diagram Kelistrikan Suzuki Shogun 11 Free and Paid eBooks
 - Diagram Kelistrikan Suzuki Shogun 11 Public Domain eBooks
 - Diagram Kelistrikan Suzuki Shogun 11 eBook Subscription Services
 - Diagram Kelistrikan Suzuki Shogun 11 Budget-Friendly Options
 6. Navigating Diagram Kelistrikan Suzuki Shogun 11 eBook Formats
 - ePub, PDF, MOBI, and More
 - Diagram Kelistrikan Suzuki Shogun 11 Compatibility with Devices
 - Diagram Kelistrikan Suzuki Shogun 11 Enhanced eBook Features
 7. Enhancing Your Reading Experience
 - Adjustable Fonts and Text Sizes of Diagram Kelistrikan Suzuki Shogun 11
 - Highlighting and Note-Taking Diagram Kelistrikan Suzuki Shogun 11
 - Interactive Elements Diagram Kelistrikan Suzuki Shogun 11
 8. Staying Engaged with Diagram Kelistrikan Suzuki Shogun 11
 - Joining Online Reading Communities
 - Participating in Virtual Book Clubs
 - Following Authors and Publishers Diagram Kelistrikan Suzuki Shogun 11
 9. Balancing eBooks and Physical Books Diagram Kelistrikan Suzuki Shogun 11
 - Benefits of a Digital Library
 - Creating a Diverse Reading Collection Diagram Kelistrikan Suzuki Shogun 11
 10. Overcoming Reading Challenges
 - Dealing with Digital Eye Strain
 - Minimizing Distractions
 - Managing Screen Time
 11. Cultivating a Reading Routine Diagram Kelistrikan Suzuki Shogun 11
 - Setting Reading Goals Diagram Kelistrikan Suzuki Shogun 11
 - Carving Out Dedicated Reading Time
 12. Sourcing Reliable Information of Diagram Kelistrikan Suzuki Shogun 11
 - Fact-Checking eBook Content of Diagram Kelistrikan Suzuki Shogun 11
 - Distinguishing Credible Sources
 13. Promoting Lifelong Learning

-
- Utilizing eBooks for Skill Development
 - Exploring Educational eBooks
14. Embracing eBook Trends
- Integration of Multimedia Elements
 - Interactive and Gamified eBooks

Diagram Kelistrikan Suzuki Shogun 11 Introduction

Free PDF Books and Manuals for Download: Unlocking Knowledge at Your Fingertips In today's fast-paced digital age, obtaining valuable knowledge has become easier than ever. Thanks to the internet, a vast array of books and manuals are now available for free download in PDF format. Whether you are a student, professional, or simply an avid reader, this treasure trove of downloadable resources offers a wealth of information, conveniently accessible anytime, anywhere. The advent of online libraries and platforms dedicated to sharing knowledge has revolutionized the way we consume information. No longer confined to physical libraries or bookstores, readers can now access an extensive collection of digital books and manuals with just a few clicks. These resources, available in PDF, Microsoft Word, and PowerPoint formats, cater to a wide range of interests, including literature, technology, science, history, and much more. One notable platform where you can explore and download free Diagram Kelistrikan Suzuki Shogun 11 PDF books and manuals is the internet's largest free library. Hosted online, this catalog compiles a vast assortment of documents, making it a veritable goldmine of knowledge. With its easy-to-use website interface and customizable PDF generator, this platform offers a user-friendly experience, allowing individuals to effortlessly navigate and access the information they seek. The availability of free PDF books and manuals on this platform demonstrates its commitment to democratizing education and empowering individuals with the tools needed to succeed in their chosen fields. It allows anyone, regardless of their background or financial limitations, to expand their horizons and gain insights from experts in various disciplines. One of the most significant advantages of downloading PDF books and manuals lies in their portability. Unlike physical copies, digital books can be stored and carried on a single device, such as a tablet or smartphone, saving valuable space and weight. This convenience makes it possible for readers to have their entire library at their fingertips, whether they are commuting, traveling, or simply enjoying a lazy afternoon at home. Additionally, digital files are easily searchable, enabling readers to locate specific information within seconds. With a few keystrokes, users can search for keywords, topics, or phrases, making research and finding relevant information a breeze. This efficiency saves time and effort, streamlining the learning process and allowing individuals to focus on extracting the information they need. Furthermore, the availability of free PDF books and manuals fosters a culture of continuous learning. By removing financial barriers, more people can access educational resources and pursue lifelong

learning, contributing to personal growth and professional development. This democratization of knowledge promotes intellectual curiosity and empowers individuals to become lifelong learners, promoting progress and innovation in various fields. It is worth noting that while accessing free Diagram Kelistrikan Suzuki Shogun 11 PDF books and manuals is convenient and cost-effective, it is vital to respect copyright laws and intellectual property rights. Platforms offering free downloads often operate within legal boundaries, ensuring that the materials they provide are either in the public domain or authorized for distribution. By adhering to copyright laws, users can enjoy the benefits of free access to knowledge while supporting the authors and publishers who make these resources available. In conclusion, the availability of Diagram Kelistrikan Suzuki Shogun 11 free PDF books and manuals for download has revolutionized the way we access and consume knowledge. With just a few clicks, individuals can explore a vast collection of resources across different disciplines, all free of charge. This accessibility empowers individuals to become lifelong learners, contributing to personal growth, professional development, and the advancement of society as a whole. So why not unlock a world of knowledge today? Start exploring the vast sea of free PDF books and manuals waiting to be discovered right at your fingertips.

FAQs About Diagram Kelistrikan Suzuki Shogun 11 Books

How do I know which eBook platform is the best for me? Finding the best eBook platform depends on your reading preferences and device compatibility. Research different platforms, read user reviews, and explore their features before making a choice. Are free eBooks of good quality? Yes, many reputable platforms offer high-quality free eBooks, including classics and public domain works. However, make sure to verify the source to ensure the eBook credibility. Can I read eBooks without an eReader? Absolutely! Most eBook platforms offer webbased readers or mobile apps that allow you to read eBooks on your computer, tablet, or smartphone. How do I avoid digital eye strain while reading eBooks? To prevent digital eye strain, take regular breaks, adjust the font size and background color, and ensure proper lighting while reading eBooks. What the advantage of interactive eBooks? Interactive eBooks incorporate multimedia elements, quizzes, and activities, enhancing the reader engagement and providing a more immersive learning experience. Diagram Kelistrikan Suzuki Shogun 11 is one of the best book in our library for free trial. We provide copy of Diagram Kelistrikan Suzuki Shogun 11 in digital format, so the resources that you find are reliable. There are also many Ebooks of related with Diagram Kelistrikan Suzuki Shogun 11. Where to download Diagram Kelistrikan Suzuki Shogun 11 online for free? Are you looking for Diagram Kelistrikan Suzuki Shogun 11 PDF? This is definitely going to save you time and cash in something you should think about. If you trying to find then search around for online. Without a doubt there are numerous these available and many of them have the freedom. However without doubt you receive whatever you purchase. An alternate way to get ideas is always to check

another Diagram Kelistrikan Suzuki Shogun 11. This method for see exactly what may be included and adopt these ideas to your book. This site will almost certainly help you save time and effort, money and stress. If you are looking for free books then you really should consider finding to assist you try this. Several of Diagram Kelistrikan Suzuki Shogun 11 are for sale to free while some are payable. If you arent sure if the books you would like to download works with for usage along with your computer, it is possible to download free trials. The free guides make it easy for someone to free access online library for download books to your device. You can get free download on free trial for lots of books categories. Our library is the biggest of these that have literally hundreds of thousands of different products categories represented. You will also see that there are specific sites catered to different product types or categories, brands or niches related with Diagram Kelistrikan Suzuki Shogun 11. So depending on what exactly you are searching, you will be able to choose e books to suit your own need. Need to access completely for Campbell Biology Seventh Edition book? Access Ebook without any digging. And by having access to our ebook online or by storing it on your computer, you have convenient answers with Diagram Kelistrikan Suzuki Shogun 11 To get started finding Diagram Kelistrikan Suzuki Shogun 11, you are right to find our website which has a comprehensive collection of books online. Our library is the biggest of these that have literally hundreds of thousands of different products represented. You will also see that there are specific sites catered to different categories or niches related with Diagram Kelistrikan Suzuki Shogun 11 So depending on what exactly you are searching, you will be able to choose ebook to suit your own need. Thank you for reading Diagram Kelistrikan Suzuki Shogun 11. Maybe you have knowledge that, people have search numerous times for their favorite readings like this Diagram Kelistrikan Suzuki Shogun 11, but end up in harmful downloads. Rather than reading a good book with a cup of coffee in the afternoon, instead they juggled with some harmful bugs inside their laptop. Diagram Kelistrikan Suzuki Shogun 11 is available in our book collection an online access to it is set as public so you can download it instantly. Our digital library spans in multiple locations, allowing you to get the most less latency time to download any of our books like this one. Merely said, Diagram Kelistrikan Suzuki Shogun 11 is universally compatible with any devices to read.

Find Diagram Kelistrikan Suzuki Shogun 11 :

[banting diet cookbook 35 new lchf banting diet recipes banting diet recipes with 35 new lchf recipes delicious dinners](#)

[lunches breakfasts and shakes for the banting diet](#)

[bc science 10 probe answers chapter 3](#)

[band 2 klavier lernen](#)

[**basic principles of vacuum technology brief overview festo**](#)

[beginning web programming jon duckett](#)

berk and demarzo corporate finance 3rd edition

basic well log analysis 2nd edition 2nd second edition by daniel krygowski published by american association of petroleum geologists 2004

ben graham was a quant raising the iq of the intelligent investor author steven p greiner apr 2011

bible study guide truth or tradition

belt drive pulleys catalogue

basic college mathematics 12th edition

basic communication skills for electronics technology

benedictine daily prayer liturgical press

basic dcc wiring for your model railroad a beginners guide to decoders dcc systems and layout wiring

basic health physics problems and solutions

Diagram Kelistrikan Suzuki Shogun 11 :

massey ferguson mf 3080 tractor service repair manual - Sep 25 2023

web publishing platform for digital magazines interactive publications and online catalogs convert documents to beautiful publications and share them worldwide title massey ferguson mf 3080 tractor service repair manual author bh26983252sh 163 com length 20 pages published 2017 07 21

massey ferguson mf 3080 tractor workshop service manual - Jan 17 2023

web this manual for massey ferguson mf 3080 tractor has been issued to provide you with technical information regarding the design function disassembly adjusting work and troubleshooting on the components and model of the massey ferguson mf 3080 tractor

massey ferguson mf3080 workshop manual plant manuals uk - Jun 22 2023

web mf3080 service workshop manual this is a service workshop repair manual for the mf3080 and comes to you in pdf format and will be sent to you by email to download this manual contains all you need to know to repair and maintain your tractor you can print each page individually as needed or the whole manual can be printed and put into a

massey ferguson mf 3080 workshop service repair manual - Sep 13 2022

web product description reviews instant downloadable pdf after payment no zip files or crap you need to load plain simple easy to use pdfs only reliable store is your only source for repair service and shop manual downloads

massey ferguson mf 3080 tractor service repair manual - May 21 2023

web jun 17 2019 read massey ferguson mf 3080 tractor service repair manual by 1637134 on issuu and browse thousands of

other publications on our platform start here

massey ferguson mf 3080 tractor service manual - Feb 18 2023

web massey ferguson mf 3080 service manual 661 pages in pdf format 240 3 mb in zip format for super fast downloads this factory massey ferguson service repair workshop manual download will give you complete step by step information on repair servicing and preventative maintenance for your massey ferguson tractor the massey ferguson

massey ferguson mf 3080 tractor service parts catalogue manual - Jul 23 2023

web apr 15 2020 download now massey ferguson mf 3080 tractor service parts catalogue manual part number 1637173 download as a pdf or view online for free

massey ferguson mf 3080 tractor workshop service manual - Mar 19 2023

web this manual for massey ferguson mf 3080 tractor has been issued to provide you with technical information regarding the design function disassembly adjusting work and troubleshooting on the components and model of the massey ferguson mf 3080 tractor

massey ferguson mf 3080 tractor service parts catalogue manual - Jul 11 2022

web feb 26 2020 read massey ferguson mf 3080 tractor service parts catalogue manual part number 1637173 by shunaicai906 on issuu and browse thousands of other p

massey ferguson 3080 workshop manual issuu - Feb 06 2022

web aug 16 2017 page 2 save this book to read massey ferguson 3080 workshop manual pdf ebook at our online library get massey ferguson 3080 workshop manual pdf file for free from our online

massey ferguson 3080 workshop manual italiano pdf - May 09 2022

web merely said the massey ferguson 3080 workshop manual italiano is universally compatible with any devices to read index at 50 jemimah steinfeld 2022 03 lancashire united richard allen 2018 poor s manual of industrials 1910 maintaining small farm equipment steve hansen 2015 09 08 a smooth running tractor or other basic piece of

massey ferguson 3080 workshop manual italiano download - Apr 08 2022

web it is your categorically own grow old to pretend reviewing habit accompanied by guides you could enjoy now is massey ferguson 3080 workshop manual italiano below massey ferguson 3080 workshop manual italiano

massey ferguson mf 3080 tractor service manual - Dec 16 2022

web massey ferguson mf 3080 tractor service manual massey ferguson mf 3080 tractor service manuals are available for immediate download this service is available for only 10 95 per download if you have a dirty old paper copy or a pdf copy on your computer and it crashed we can help

massey ferguson 3080 workshop manual by yolandarios3480 - Mar 07 2022

web sep 12 2017 [massey ferguson 3080 workshop manual yhatmpagox pdf 60 pages 312 6 kb 12 jan 2014 table of content introduction brief description main topic technical note appendix glossary pdf file](#)

massey ferguson mf 3080 tractor service parts catalogue manual - Aug 24 2023

web aug 18 2020 [massey ferguson mf 3080 tractor service parts catalogue manual part number 1637173 download as a pdf or view online for free](#)

massey ferguson mf 3080 service shop tractor workshop repair manual - Aug 12 2022

web this massey ferguson mf 3080 service shop tractor workshop repair manual will guide you through fundamentals of maintaining and repairing step by step to teach you what the factory trained technicians already know by heart

[massey ferguson 3080 workshop manual italiano](#) - Jun 10 2022

web massey ferguson 3080 workshop manual italiano 1 massey ferguson 3080 workshop manual italiano massey ferguson mf 3070 workshop service repair manual massey ferguson service manuals service manual download massey ferguson mf 3080 tractor service manual massey massey ferguson mf 3080 workshop

[massey ferguson 3080 workshop manual italiano issuu](#) - Nov 15 2022

web jan 4 2018 [get massey ferguson 3080 workshop manual italiano pdf file for free from our online library massey ferguson 3080 workshop manual italiano pdf 78 pages 406 38 kb 07 oct 2015](#)

[massey ferguson 3050 3060 3065 3070 3080 tractor service manual](#) - Oct 14 2022

web recheck the parts and functions for correct operation this massey ferguson 3050 3060 3065 3070 3080 tractor service manual contains detailed repair instructions and maintenance specifications to facilitate your repair and troubleshooting

[massey ferguson mf 3080 service repair manual](#) - Apr 20 2023

web massey ferguson mf 3080 service repair manual covers every single detail on your machine and provides step by step instructions based on the complete disassembly of the machine this massey ferguson mf 3080 service manual describes the service procedures for the complete vehicle

part 4 pediatric basic and advanced life support 2020 - Apr 11 2023

web oct 21 2020 [pals pediatric advanced life support pico population intervention comparator outcome a prospective nationwide population based cohort study j am heart assoc 2014 3 e000499 doi 10 1161/jaha.113.000499 link manual defibrillators are preferred when a shockable rhythm is identified by a healthcare provider because the](#)

pals made simple acs algorithms com - Dec 07 2022

web this pals training course will help you prepare for the acs written exam megacode and real life emergency situations and after taking it you will pass with flying colors this site is always up to date with the most recent aha pals

2014 pals study guide dev bleep com - Feb 26 2022

web 2014 pals study guide unveiling the magic of words a report on 2014 pals study guide in some sort of defined by information and interconnectivity the enchanting power of words has acquired unparalleled significance their ability to kindle emotions provoke contemplation and ignite transformative change is actually awe inspiring

pals interim study guide phs institute - May 12 2023

web pals pals study guide 2020 bulletin new resuscitation science and american heart association treatment guidelines were released october 28 2020 the new aha handbook of emergency cardiac care ecc contains these 2020 guidelines and is required study for this course the 2020 pals provider manual is available

pediatric advanced life support study guide google books - Jun 13 2023

web jan 16 2017 pediatric advanced life support study guide fully revised to meet the 2015 cpr ecc guidelines and to prepare students and professionals for pals certification and recertification pediatric advanced life support study guide fourth edition provides a clear and complete approach to managing pediatric emergencies

pediatric advanced life support pals uptodate - Feb 09 2023

web jan 3 2023 introduction this topic will discuss the advanced components of recognition and treatment of respiratory failure shock cardiopulmonary failure and cardiac arrhythmias in children basic life support in children and guidelines for cardiac resuscitation in adults are discussed separately

american heart association study guides for bls acs pals - Aug 03 2022

web american heart association training site offers a wide variety of study guides to help students the cpr aed bls acs pals study guides prepare students for their courses study guide materials for acs pals are also designed to help students pass their required pre tests post tests

free 2022 pals study guide pals made easy national - Aug 15 2023

web free 2022 pals provider manual the perfect precourse assessment to help you pass your pals megacode review our aha updated pdf at no charge today

pals study guidelines enrollware - Apr 30 2022

web the pals course now requires a mandatory precourse self assessment and precourse work with a passing score of at least 70 students may take the self assessment as many times as needed

free 2022 pals study guide pals made easy pals study guide - Mar 30 2022

web pediatric advanced lifetime support pals study guide welcomes to the provider will evaluate identified furthermore intervene as many times as necessary pending this child either stabilizes or her condition worst requiring cpr and additional rescue measurements pals study guide

surefire cpr pals study guide revised with version b - Jun 01 2022

web this study guide is an outline to help you prepare for your upcoming pals course even though there is a lot of information in this guide it is important to have your textbook to help you review the material over the next 2 years to keep your skills sharp

pals study guide pdf scribd - Jul 14 2023

web fpals study guide you will need to know cpr aed foundation for pals arrhythmias identify sinus rhythm sr sinus bradycardia sb sinus tachycardia st supraventricular tachycardia svt ventricular tachycardia vt ventricular fibrillation vf pulseless electrical activity pea asystole americanheartclasses com cpr 3g

pals study guide american heart association training site - Jul 02 2022

web aug 29 2021 free online 2020 pals study guide for student who enroll in pals certification course this guide is best used on a computer or mobile device so you can click on the hyperlinks bls and high quality cpr is the foundation of all the pals curriculum you must master bls skills before you become an advanced provider

pals study guide pdf scribd - Mar 10 2023

web this is a systematic head to toe assessment used to identify infants and children in respiratory distress and failure shock and pulseless arrest algorithms are menus that guide you through recommended treatment interventions know the following assessment because it begins all pals case scenarios

pals study guide latest 2023 2024 a rated guide - Jan 28 2022

web may 8 2023 1 pals exam 1 updated 2023 100 verified questions and answers 2 pals exam updated 2023 completed 300 questions and answers included 3 pals exam 2 updated 2023 100 verified questions and answers 4 pals final exam 1 latest 2023 2024 graded a questions answers show

pals algorithms 2023 pediatric advanced life support - Sep 04 2022

web welcome to the free pals algorithm and guidelines offered by united medical education here you can prepare for your pals certification exam and learn life saving interventions build your free student account to access our full training library

pals study guide download the pals provider manual acls - Nov 06 2022

web our full ecc guideline based provider manuals are available as part of study prep by acls medical training the best way to learn and prepare for your certification online unlock provider manual at acls medical training we strive to have the highest quality pals certification curriculum

[pals knowledge base acls algorithms com](#) - Jan 08 2023

web pals knowledge base the pediatric advanced life support knowledge base provides you with the best pals study guide available online use the links below to review each topic within this pals study guide you will find learning content that provides a complete review of the american heart association 2020 2025 pals guidelines

pals study guide acls123 com - Sep 16 2023

web pals study guide 12 29 2012 818 766 1111 acls123 com pals study guide critical care training center copyright 2012 course overview this study guide is an outline of content that will be taught in the american heart association accredited pediatric advance life support pals course

pals interim study guide - Oct 05 2022

web pals study guide 220011000 bulletin new resuscitation science and american heart association treatment guidelines were released october 28 2010 the new aha handbook of emergency cardiac care ecc contains these 2010 guidelines and is required study for this course the 2010 pals provider manual is not yet available

casio ca 100 tonebank synthxl free service manual - Jul 01 2022

web electronic musical instruments manual download select your location please click the area you want to see north america united states canada english canada

casio electronic keyboard user manuals download manualslib - Jun 12 2023

web download 321 casio electronic keyboard pdf manuals user manuals casio electronic keyboard operating guides and service manuals

casio cdp 100 electronic keyboard user manual - Oct 24 2021

web feb 18 2017 service manual casio ca100

user manual casio tonebank ca 100 english 10 pages - Jul 13 2023

web view the manual for the casio tonebank ca 100 here for free this manual comes under the category keyboards and has been rated by 6 people with an average of a 8 8 this

electronic musical instruments casio - May 31 2022

web the manual describes functions of ca100 tells how to use it correctly and includes instructions on maintenance owner s manual usually has installation user manual

manual casio ca 100 page 2 of 10 english libble eu - Nov 05 2022

web view and download casio tonebank ca 110 operation manual online electronic musical instrument tonebank ca 110 electronic keyboard pdf manual download

casio ca 100 user manual libble eu - Apr 10 2023

web free download of your casio ca 100 user manual still need help after reading the user manual post your question in our forums

casio ca 100 service manual repair schematics - Sep 22 2021

casio ca 100 user manual manualmachine com - Sep 03 2022

web view the manual for the casio 100 tonebank sa 1 here for free this manual comes under the category keyboards and has been rated by 3 people with an average of a 8 2

[manuals casio](#) - Jan 27 2022

web view and download casio tonebank ca 110 operation manual online electronic musical instrument tonebank ca 110 electronic keyboard pdf manual download

[manuals casio](#) - Feb 08 2023

web view user manuals operation guides and other manuals search by keyword some products are not included in this search

manuals casio support page casio canada - Nov 24 2021

web electronic keyboard casio cdp 220r user manual casio electronic keyboard user manual 80 pages electronic keyboard casio tonebank ct 670 operation manual

[ctk 1100 electronic musical instruments manuals casio](#) - Mar 29 2022

web keyboard remove them do not touch the batteries directly with your hands when removing them they may be hot or battery fluid may be leaking from them 4 consult

[casio casio ca 100 quick start guide 822389](#) - Dec 06 2022

web view and download the manual of casio ca 100 keyboard page 2 of 10 english also support or get the manual by email

[casio ca 100 user manual safe manuals com](#) - Mar 09 2023

web user manual for casio ca 100 product view ca 100 user guide online or download casio ca 100 instruction manual for free get ca 100 instruction in pdf format

casio ca100 owner s manual immediate download - Jan 07 2023

web casio ca100 owner s manual with this manual you ll learn how to set up and use your casio ca100 the manual describes functions of ca100 tells how to use it correctly

[casio ca 100 instruction manual](#) - Apr 29 2022

web ctk 1100 manual ctk1100 1150 1 47mb terms and conditions a pdf reader is required to view pdf files

electronic musical instrument manuals casio - May 11 2023

web manuals electronic musical instruments view user manuals operation guides and other manuals

casio tonebank ca 110 operation manual pdf download - Oct 04 2022

web view and download casio ca 100 instruction manual online how it works log in sign up 0 my files 0 my ca 100 user manual 10 pgs 8 82 mb 1 user manual 10 pgs

[user manual casio 100 tonebank sa 1 7 pages](#) - Aug 02 2022

web casio ca 100 tonebank service manual download user manual download

user s guide casio - Feb 25 2022

web keyboards accessories light up my life find a teacher calculators view all calculators scientific calculators graphic calculators casio support manuals timepieces

casio tonebank ca 100 operation manual pdf download - Aug 14 2023

web view and download casio tonebank ca 100 operation manual online tonebank ca 100 electronic keyboard pdf manual download

casio tonebank ca 110 operation manual pdf - Dec 26 2021

web manuals timepieces watches smart outdoor watch electronic musical instruments dj products calculators projectors cash registers label printers